



IMAGE SHOWN IS A VOHDI900-GO

Vision Drop-In Heated Self Help

CHARACTERISTICS

- Open fronted heated drop-in food display for self help service.
- This display maintains pre-heated cooked food at a regulated temperature.
- Ideal for hot rolls, pies, pasties, chicken portions etc.
- Two shelves and a base with illumination to all shelf levels.
- Produce displayed on bright polished stainless steel shelf covers.
- Stainless steel shelf covers are removable for cleaning.
- Fixed back standard, rear doors optional.
- Eye level electronic controller on operators side (GO) as standard.
- The electric controller can be installed on customer side (GC) on request.
- Square front glass version also available as optional extra.

SPECIFICATIONS

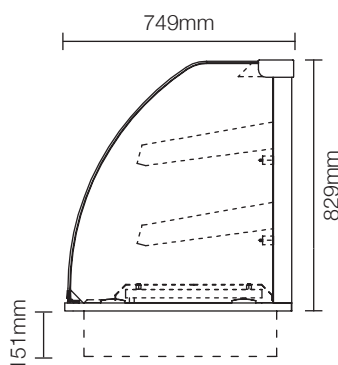
Stock Code	Overall size mm	Weight kg	Wattage kw	List Price £
VOHDI600-GO	600 x 749 x 829h	70	1.35	£4393
VOHDI900-GO	900 x 749 x 829h	84	2.8	£4480
VOHDI1200-GO	1200 x 749 x 829h	108	3.0	£4539

OPTIONAL REAR DOORS

Display Code	Door Code	List price (£)
VOHDI600-GO	VDR16	£116
VOHDI900-GO	VDR17	£232
VOHDI1200-GO	VDR18	£290

COUNTER CUT-OUT SIZES

Stock Code	Minimum cut-out size mm
VOHDI600-GO	555 x 660
VOHDI900-GO	855 x 660
VOHDI1200-GO	1155 x 660



OPTIONAL EXTRAS

- Tubular trayslide or bag rest.
- Shelf edge ticket strips.
- Extended supply lead.
- Fascia panels.
- Export packing case.
- Dry heat bain marie to main display level.
- Square glass.

For more information on this product, please contact a member of our sales team or visit our website.