



IMAGE SHOWN IS VOH900-GO WITH A FASCIA PANEL AND REAR DOORS AS OPTIONAL EXTRAS.

## Vision Free-Standing Heated Self Help

### CHARACTERISTICS

- Open fronted heated free-standing display for self help service.
- This display maintains pre-heated cooked food at a regulated temperature.
- Ideal for hot rolls, pies, pasties, chicken portions etc.
- Illumination to all shelf levels.
- Castors included as standard which give an overall height of 1460 mm.
- Adjustable feet are available as an optional extra.
- Produce displayed on bright polished stainless steel shelf covers.
- Stainless steel shelf covers are removable for cleaning.
- Fixed back standard, rear doors optional.
- Eye level electronic controller on operators side (GO) as standard.
- The electric controller can be installed on customer side (GC) on request.
- Square front glass version also available as optional extra.

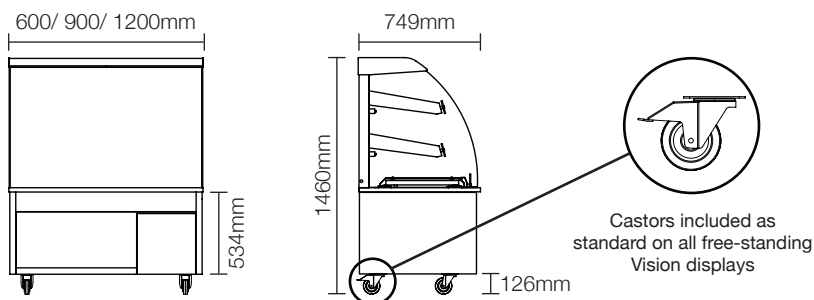
### SPECIFICATIONS

Stock Code	Overall size mm	Weight kg	Wattage kw	List Price £
VOH600-GO	600 x 749 x 1460h	110	1.35	£4497
VOH900-GO	900 x 749 x 1460h	159	2.8	£4583
VOH1200-GO	1200 x 749 x 1460h	200	3.0	£4642

### OPTIONAL REAR DOORS

Display Code	Door Code	List price (£)
VOH600-GO	VDR16	£116
VOH900-GO	VDR17	£232
VOH1200-GO	VDR18	£290

### DIMENSIONS



For more information on this product, please contact a member of our sales team or visit our website.

Tel: +44 (0)151 548 2211

Fax: +44 (0)151 549 2179

Email: [enquiries@counterline.co.uk](mailto:enquiries@counterline.co.uk)

Website: [www.counterline.co.uk](http://www.counterline.co.uk)

### OPTIONAL EXTRAS

- Tubular trayslide or bag rest.
- Shelf edge ticket strips.
- Extended supply lead.
- Fascia panels.
- Export packing case.
- Dry heat bain marie to main display level.
- Adjustable feet.
- Square glass (replaces standard curved glass).