



IMAGE SHOWN IS A VOCDI900

## Vision Drop-In Chilled Self Help

### CHARACTERISTICS

- Open fronted chilled drop-in display for self help service.
- This display maintains pre-chilled food at a regulated temperature.
- Ideal for sandwiches, filled rolls, dairy products, drinks etc.
- Three glass shelves with illumination to all shelf levels.
- Fixed back standard, rear doors optional.
- Eye level electronic controller on operators side (GO) as standard.
- The electric controller can be installed on customer side (GC) on request.
- Square front glass version also available as optional extra.

### SPECIFICATIONS

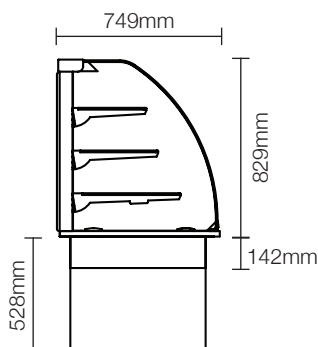
Stock	Overall size	Weight	Wattage	List Price
Code	mm	kg	kw	£
VOCDI600-GO	600 x 749 x 829h	115	1.8	£4163
VOCDI900-GO	900 x 749 x 829h	160	2.6	£4279
VOCDI1200-GO	1200 x 749 x 829h	210	2.8	£4423

### OPTIONAL REAR DOORS

Display Code	Door Code	List price (£)
VOCDI600-GO	VDR10	£116
VOCDI900-GO	VDR11	£232
VOCDI1200-GO	VDR12	£290

### COUNTER CUT-OUT SIZES

Stock	Minimum cut-out size
Code	mm
VOCDI600-GO	555 x 660
VOCDI900-GO	855 x 660
VOCDI1200-GO	1155 x 660



### OPTIONAL EXTRAS

- Shelf edge ticket strips.
- Extended supply lead.
- Export packing case.
- Adjustable feet.
- Square glass (replaces standard curved glass).

For more information on this product, please contact a member of our sales team or visit our website.

Tel: +44 (0)151 548 2211

Fax: +44 (0)151 549 2179

Email: enquiries@counterline.co.uk

Website: www.counterline.co.uk