



IMAGE SHOWN IS VOC900-GO WITH A FASCIA PANEL AND REAR DOORS AS OPTIONAL EXTRAS.

## Vision Free-Standing Chilled Self Help

### CHARACTERISTICS

- Open fronted chilled free-standing display for self help service.
- This display maintains pre-chilled food at a regulated temperature.
- Ideal for sandwiches, filled rolls, dairy products, drinks etc.
- Three glass shelves with illumination to all shelf levels.
- Castors included as standard which give an overall height of 1460 mm.
- Adjustable feet are available as an optional extra.
- Integral fan blown refrigeration system.
- Fixed back standard, rear doors optional.
- Eye level electronic controller on operators side (GO) as standard.
- The electric controller can be installed on customer side (GC) on request.
- Square front glass version also available as optional extra.

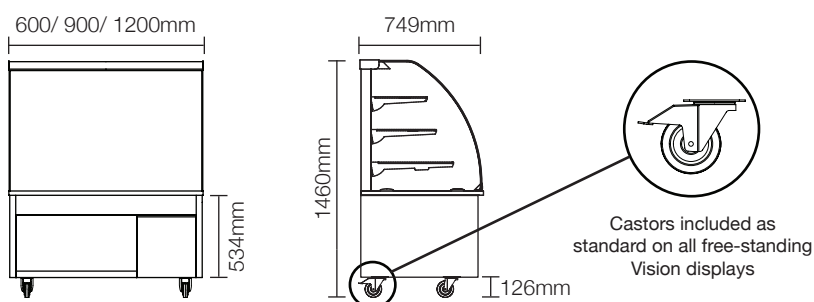
### SPECIFICATIONS

Stock Code	Overall size mm	Weight kg	Wattage kw	List Price £
VOC600-GO	600 x 749 x 1460h	135	1.8	£4267
VOC900-GO	900 x 749 x 1460h	180	2.6	£4383
VOC1200-GO	1200 x 749 x 1460h	230	2.8	£4527

### OPTIONAL REAR DOORS

Display Code	Door Code	List price (£)
VOC600-GO	VDR10	£116
VOC900-GO	VDR11	£232
VOC1200-GO	VDR12	£290

### DIMENSIONS



### OPTIONAL EXTRAS

- Tubular trayside or bag rest.
- Shelf edge ticket strips.
- Extended supply lead.
- Fascia panels.
- Export packing case.
- Adjustable feet.
- Square glass (replaces standard curved glass).

For more information on this product, please contact a member of our sales team or visit our website.

Tel: +44 (0)151 548 2211

Fax: +44 (0)151 549 2179

Email: enquiries@counterline.co.uk

Website: www.counterline.co.uk