



IMAGE SHOWN IS A VHDI900

Vision Drop-In Heated Assisted Service

CHARACTERISTICS

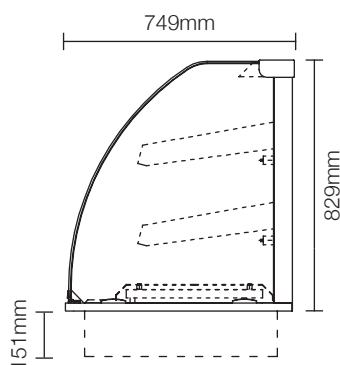
- Fully enclosed heated drop-in food display for assisted service.
- This display maintains pre-heated cooked food at a regulated temperature.
- Ideal for hot rolls, pies, pasties, chicken portions etc.
- Two shelves and a base with illumination to all shelf levels.
- Produce displayed on bright polished stainless steel shelf covers.
- Stainless steel shelf covers are removable for cleaning.
- Rear doors as standard.
- Eye level electronic controller on operators side (GO) as standard.
- Square front glass version also available as optional extra.

SPECIFICATIONS

Stock Code	Overall size mm	Weight kg	Wattage kw	List Price £
VHDI600-GO	600 x 749 x 829h	73	1.9	£4042
VHDI900-GO	900 x 749 x 829h	87	2.0	£4158
VHDI1200-GO	1200 x 749 x 829h	111	2.0	£4273

COUNTER CUT-OUT SIZES

Stock Code	Minimum cut-out size mm
VHDI600-GO	555 x 660
VHDI900-GO	855 x 660
VHDI1200-GO	1155 x 660



OPTIONAL EXTRAS

- Tubular trayslide or bag rest.
- Shelf edge ticket strips.
- Extended supply lead.
- Fascia panels.
- Export packing case.
- Dry heat bain marie to main display level.
- Square glass.

For more information on this product, please contact a member of our sales team or visit our website.

Tel: +44 (0)151 548 2211 Fax: +44 (0)151 549 2179
 Email: enquiries@counterline.co.uk Website: www.counterline.co.uk