

Vision Drop-In Chilled Assisted Service



IMAGE SHOWN IS A VCDI900

CHARACTERISTICS

- Fully enclosed chilled drop-in food display for assisted service.
- This display maintains pre-chilled food at a regulated temperature.
- Ideal for sandwiches, filled rolls, dairy products, drinks etc.
- Three glass shelves with illumination to all shelf levels.
- Rear doors standard.
- Eye level electronic controller on operators side (GO) as standard.
- Square front glass version also available as optional extra.

SPECIFICATIONS

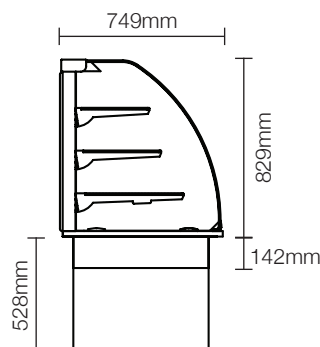
Stock	Overall size	Weight	Wattage	List Price
Code	mm	kg	kw	£
VCDI600-GO	600 x 749 x 829h	118	1.8	£4042
VCDI900-GO	900 x 749 x 829h	163	1.9	£4158
VCDI1200-GO	1200 x 749 x 829h	213	2.3	£4285

OPTIONAL EXTRAS

- Shelf edge ticket strips.
- Extended supply lead.
- Export packing case.
- Square glass (replaces standard curved glass).

COUNTER CUT-OUT SIZES

Stock	Minimum cut-out size
Code	mm
VCDI600-GO	555 x 660
VCDI900-GO	855 x 660
VCDI1200-GO	1155 x 660



For more information on this product, please contact a member of our sales team or visit our website.

Tel: +44 (0)151 548 2211 Fax: +44 (0)151 549 2179
 Email: enquiries@counterline.co.uk Website: www.counterline.co.uk