



## Roll-In Heated Base Unit

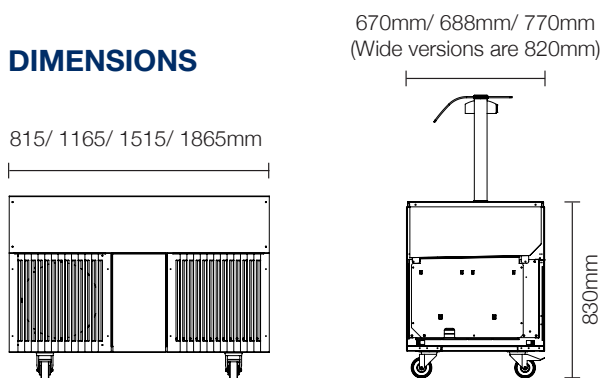
### SPECIFICATIONS

Stock Code	Capacity gn	Overall size mm	Weight kg	List Price £
IHROLL2	2/1	815 x 670 x 830h	43	£491
IHROLL3	3/1	1165 x 670 x 830h	49	£523
IHROLL4	4/1	1515 x 670 x 830h	57	£565
IHROLL5	5/1	1865 x 670 x 830h	64	£637

### BASE UNIT WITH FRONT AND SIDE FINISHES

Stainless steel front and sides	Dimensions (mm)	List Price (£)	Laminate front and sides	Dimensions (mm)	List Price (£)
IHROLL2S	815 x 688 x 830h	£546	IHROLL2L	815 x 770 x 830h	£546
IHROLL3S	1165 x 688 x 830h	£582	IHROLL3L	1165 x 770 x 830h	£582
IHROLL4S	1515 x 688 x 830h	£627	IHROLL4L	1515 x 770 x 830h	£627
IHROLL5S	1865 x 688 x 830h	£708	IHROLL5L	1865 x 770 x 830h	£708

### DIMENSIONS



For more information on this product, please contact a member of our sales team or visit our website.

Tel: +44 (0)151 548 2211

Fax: +44 (0)151 549 2179

Email: enquiries@counterline.co.uk

Website: www.counterline.co.uk

### CHARACTERISTICS

- This unit can be rolled integrally into an existing counterwork or can stand alone as a central display. The standalone units require additional panels. See front and side finishes.
- The roll-in base unit avoids lifting heavy units into position and simply resolves condensing unit airflows.
- Accepts all Integrale, Da Vinci, and Manhattan standard width heated drop-in displays.
- Wide versions also available.
- Roll-ins for heated displays have ambient storage.
- Customer side is Zintec as standard. Stainless or laminate fascia panel available as optional extra.
- Pre engineered rigid construction.
- All units mounted on four 100mm diameter castors, two lockable.
- Variable height is a minimum of 855mm with other heights available on request.