

Flexi-Top Dry Heat Bain Marie With Gantry



VISUAL SHOWS THE FHBM/2

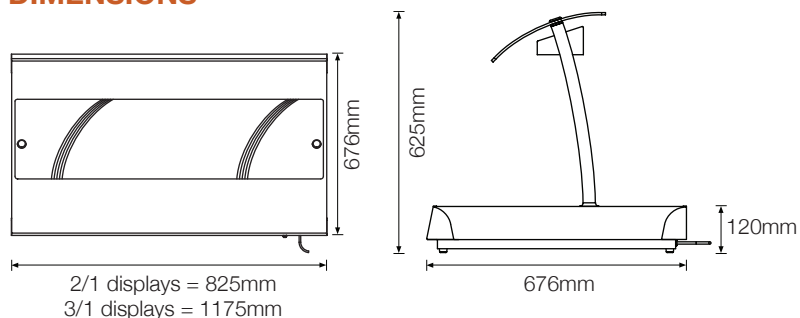
SPECIFICATIONS

Stock	Overall size	Weight	Wattage	List Price
Code	mm	kg	kw	£
FHBM/2	825 x 676 x 625h	30	0.9	£1931
FHBM/3	1175 x 676 x 625h	35	1.2	£2056

OPTIONAL EXTRAS

Description	Option code	List Price
Carving pad insert	ACP2	£218
GN extension collar	AGEC	£50

DIMENSIONS



CHARACTERISTICS

- Table-top hot food display for self help service.
- Perfect for presenting hot baked potato fillings such as baked beans.
- Mirrored polished front panel.
- Produce is displayed in gastronorm containers which are available in a variety of combinations.
- An optional steel collar is available to increase container depth where required.
- Produce heated via gantry-mounted quartz lamps with separate controls for the base dry heat and gantry heat, with thermostatic controls to ensure an even spread.
- Carving pad insert and GN extension collar available as optional extras.
- Illuminated lighting gantry comes as standard with this product.



For more information on this product, please contact a member of our sales team or visit our website.

Tel: +44 (0)151 548 2211

Fax: +44 (0)151 549 2179

Email: enquiries@counterline.co.uk

Website: www.counterline.co.uk