

## Flexi-Top Chilled Bain Marie With Gantry



VISUAL SHOWS THE FCBM/2

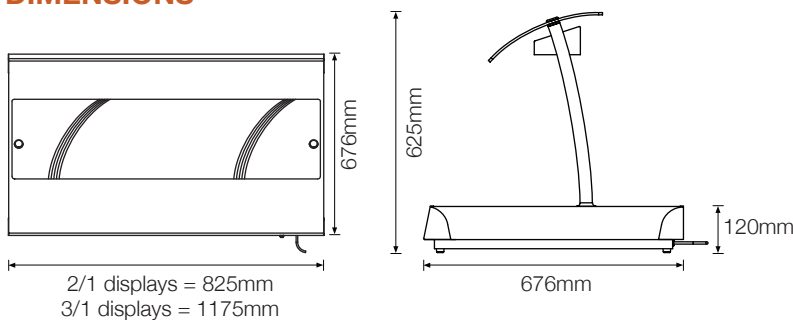
### SPECIFICATIONS

Stock	Overall size	Weight	Wattage	List Price
Code	mm	kg	kw	£
FCBM/2	825 x 676 x 625h	30	0.3	£1841
FCBM/3	1175 x 676 x 625h	35	0.3	£2127

### OPTIONAL EXTRAS

Description	Option code	List Price
Carving pad insert	ACP2	£218
GN extension collar	AGEC	£50

### DIMENSIONS



### CHARACTERISTICS

- Table-top chilled food display for self help service.
- Perfect for presenting chilled salads and baked potato fillings.
- Chilled food is maintained via eutectic plates.
- Mirrored polished front panel.
- Produce is displayed in gastronorm containers which are available in a variety of combinations.
- An optional steel collar is available to increase container depth where required.
- GN extension collar available as an optional extra.
- Illuminated lighting gantry comes as standard with this product



For more information on this product, please contact a member of our sales team or visit our website.

Tel: +44 (0)151 548 2211

Fax: +44 (0)151 549 2179

Email: [enquiries@counterline.co.uk](mailto:enquiries@counterline.co.uk)

Website: [www.counterline.co.uk](http://www.counterline.co.uk)