

## Combi-Top Heated Bain Marie With Sneeze Screen



VISUAL SHOWS THE CHBM-S

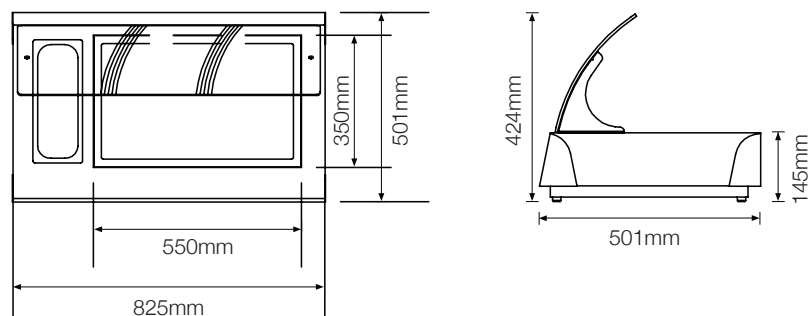
### SPECIFICATIONS

Stock	Overall size	Weight	Wattage	List Price
Code	mm	kg	kw	£
CHBM/S	825 x 501 x 424h	20	0.3	£1285

### OPTIONAL EXTRAS

Description	Option code	List Price
Gastronorm containers (set of 3)	AGC	£100
Soup unit containers with lids (set of 2)	ASU	£100
Carving pad insert	ACP2	£218
GN extension collar	AGEC	£50
Ceran glass insert	AHCI	£123

### DIMENSIONS



### CHARACTERISTICS

- Table-top hot food display with sneeze guard for assisted service.
- Perfect for presenting hot baked potato fillings such as baked beans.
- Additional soup container lids are available to present heated soups.
- Mirrored polished front panel.
- An optional steel collar is available to increase container depth where required.
- Glass sneeze screen comes as standard with this display.
- Produce is displayed in 2/8 gastronorm containers as standard, which are available in a variety of combinations. 1/3 gastronorm containers (AGC) sold separately.
- Optional carving pad and ceramic hotplate also available with this display.



VISUAL SHOWS THE CHBM/S WITH ASU OPTIONAL EXTRA



For more information on this product, please contact a member of our sales team or visit our website.

Tel: +44 (0)151 548 2211

Fax: +44 (0)151 549 2179

Email: [enquiries@counterline.co.uk](mailto:enquiries@counterline.co.uk)

Website: [www.counterline.co.uk](http://www.counterline.co.uk)