

Combi-Top Chilled Bain Marie With Sneeze Screen



VISUAL SHOWS THE CCBM-S

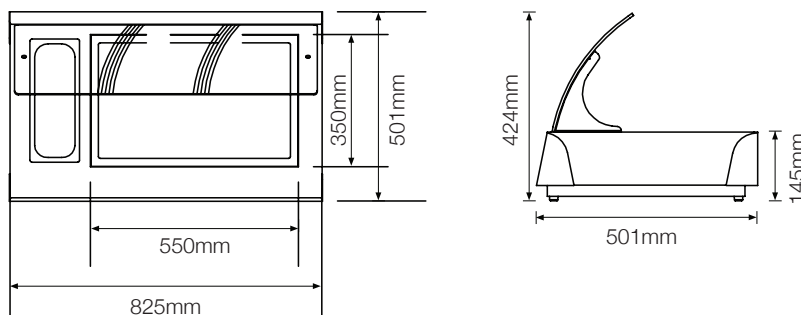
SPECIFICATIONS

Stock	Overall size	Weight	Wattage	List Price
Code	mm	kg	kw	£
CCBM/S	825 x 501 x 424h	20	0	£1322

OPTIONAL EXTRAS

Description	Option code	List Price
Gastronorm containers (set of 3)	AGC	£100
GN extension collar	AGEC	£50

DIMENSIONS



CHARACTERISTICS

- Table-top chilled food display with sneeze guard for assisted service.
- Perfect for presenting salads and chilled baked potato fillings.
- Chilled food is maintained via eutectic plates.
- Mirrored polished front panel.
- An optional steel collar is available to increase container depth where required.
- Glass sneeze screen comes as standard with this display.
- Produce is displayed in 2/3 gastronorm containers as standard, which are available in a variety of combinations. 1/3 Gastronorm containers (AGC) sold separately.



For more information on this product, please contact a member of our sales team or visit our website.

Tel: +44 (0)151 548 2211

Fax: +44 (0)151 549 2179

Email: enquiries@counterline.co.uk

Website: www.counterline.co.uk