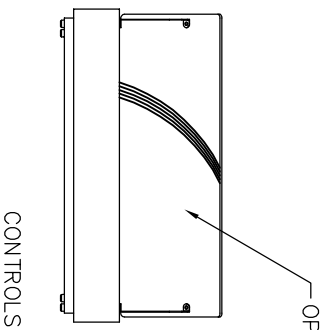
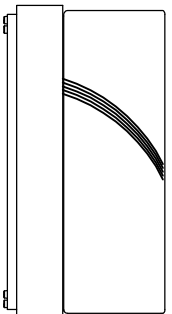


DISPLAY ACCEPTS 100mm DEEP GN CONTAINER

END ELEVATION



REAR ELEVATION



FRONT ELEVATION

ELECTRICAL INFO:	N/A
WEIGHT:	28Kg

PRODUCT RANGE:	SOLUTIONS
DESC.:	CHILLED SELF HELP BAIN MARIE COUNTERTOP DISPLAY
OPTION:	(UNIT CHILLED WITH EUTECTIC PLATE)
ID CODE:	CCBM+AGS

**counterline**  
 RANDLES RD, KNOWSLEY BUSINESS PARK, MERSEYSIDE L34 9HZ.  
 Tel: 0151 548 2211 Fax: 0151 549 2179

ISSUE: 1

SCALE: 1:20 @ A4